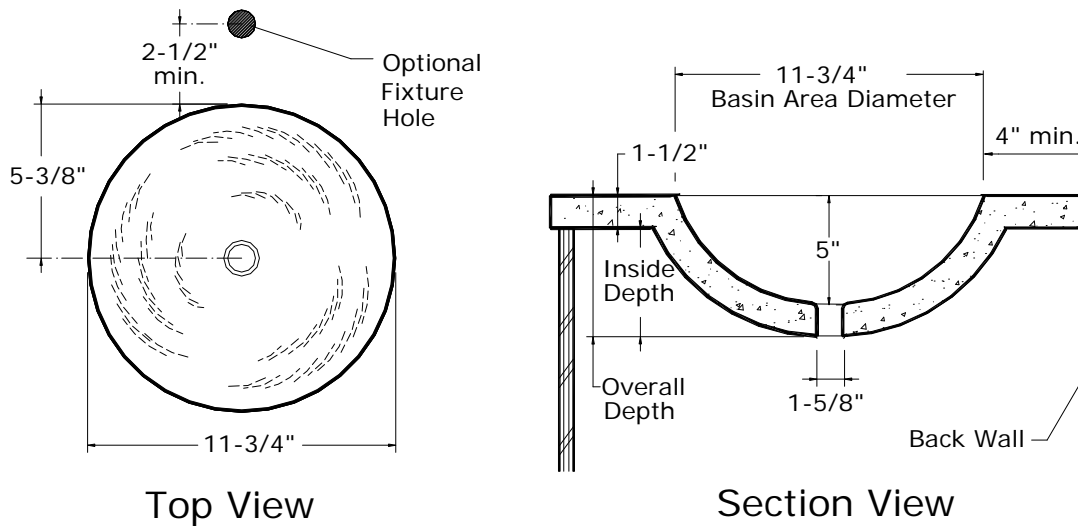


## Integrated Sinks-

### "Point Reyes"



## SPECIFICATIONS:

Description/Features:	Small Round Bowl
Slab Depth	1 1/2"
Sink Wall Thickness	1 1/2" *
Basin Area	11 3/4" diameter
Water Depth	5 1/2"
Inside Depth	5"
Overall Depth	6 1/2"
Drain Hole	1 5/8" diameter. Fits most 1-1/4" drain assemblies (not included).
Faucet Locations	Faucet holes optional. May be deck-mounted at the rear of or to one side of the sink, or wall-mounted.
Colors	Available in all standard, premium and custom colors. Samples available through showrooms or by phone.
Placement	Cabinet, stand, wall-mounted, floating w/ brackets, ADA
Vanity Sizes	Sizes are based on custom orders at this time
Installation Notes:	A minimum of 4" clearance from the back edge of the sink to the wall is required for deck-mounted faucet placement at the rear of the sink. See drawing.
<b>* Additional Information</b>	The sink wall thickness should be taken into consideration when deciding on the sink and faucet locations. Each sink is hand-formed and does not have a UPC code. Contact us directly to obtain information about other sink styles and sizes.