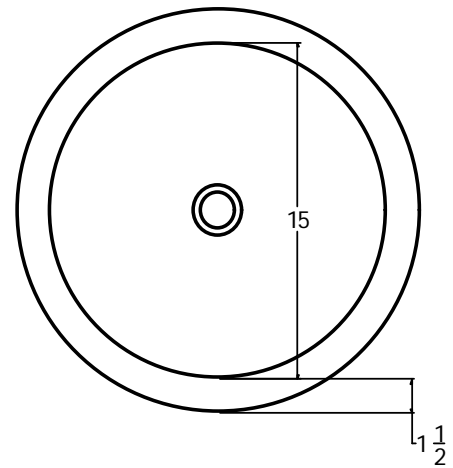
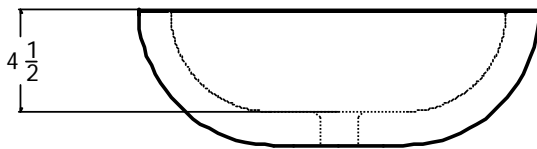


Vessel Sinks-

**"Bodega"**



**SPECIFICATIONS:**

Description/Features:	Round Bowl
Wall Thickness	1 1/2"
Basin Area	15" diameter
Water Depth	4 1/2"
Overall Depth	6"
Drain Hole	1 5/8" diameter. Fits most 1-1/4" drain assemblies (not included).
Faucet Locations	Faucet holes optional. May be deck-mounted at the rear of or to one side of the sink, or wall-mounted.
Colors	Available in all standard, premium and custom colors
Placement	On top of or partially recessed into countertop deck
Approximate Weight	<b>TBD</b>
Installation Notes:	A minimum of 4" clearance from the back edge of the sink to the wall is required for deck-mounted faucet placement at the rear of the sink. See drawing. (Height of faucet must be tall enough to reach over rim with clearance.)