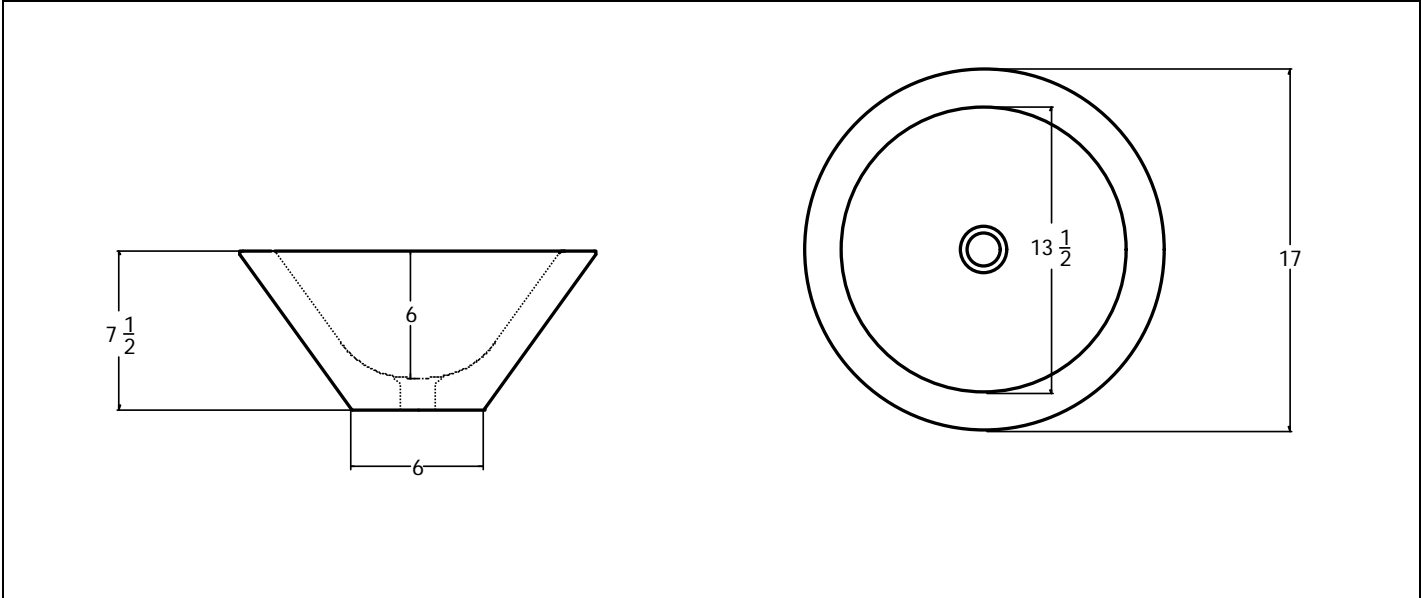


Vessel Sinks-

Conical Bowl

"Olema"



SPECIFICATIONS:

Description/Features:	Round Bowl
Wall Thickness	1 1/2"
Basin Area	13 1/2" diameter
Water Depth	6 1/2"
Overall Depth	7 1/2"
Surface Area on Deck	6 1/4" diameter
Drain Hole	1 5/8" diameter. Fits most 1-1/4" drain assemblies (not included).
Faucet Locations	Faucet holes optional. May be deck-mounted at the rear of or to one side of the sink, or wall-mounted.
Colors	Available in all standard, premium and custom colors
Placement	On top of countertop deck
Approximate Weight	TBD
Installation Notes:	A minimum of 4" clearance from the back edge of the sink rim to the wall is required for deck-mounted faucet placement at the rear of the sink. See drawing. (Height of faucet must be tall enough to reach over rim with clearance.)
*Additional Information	Each sink is hand-formed and does not have a UPC code.